

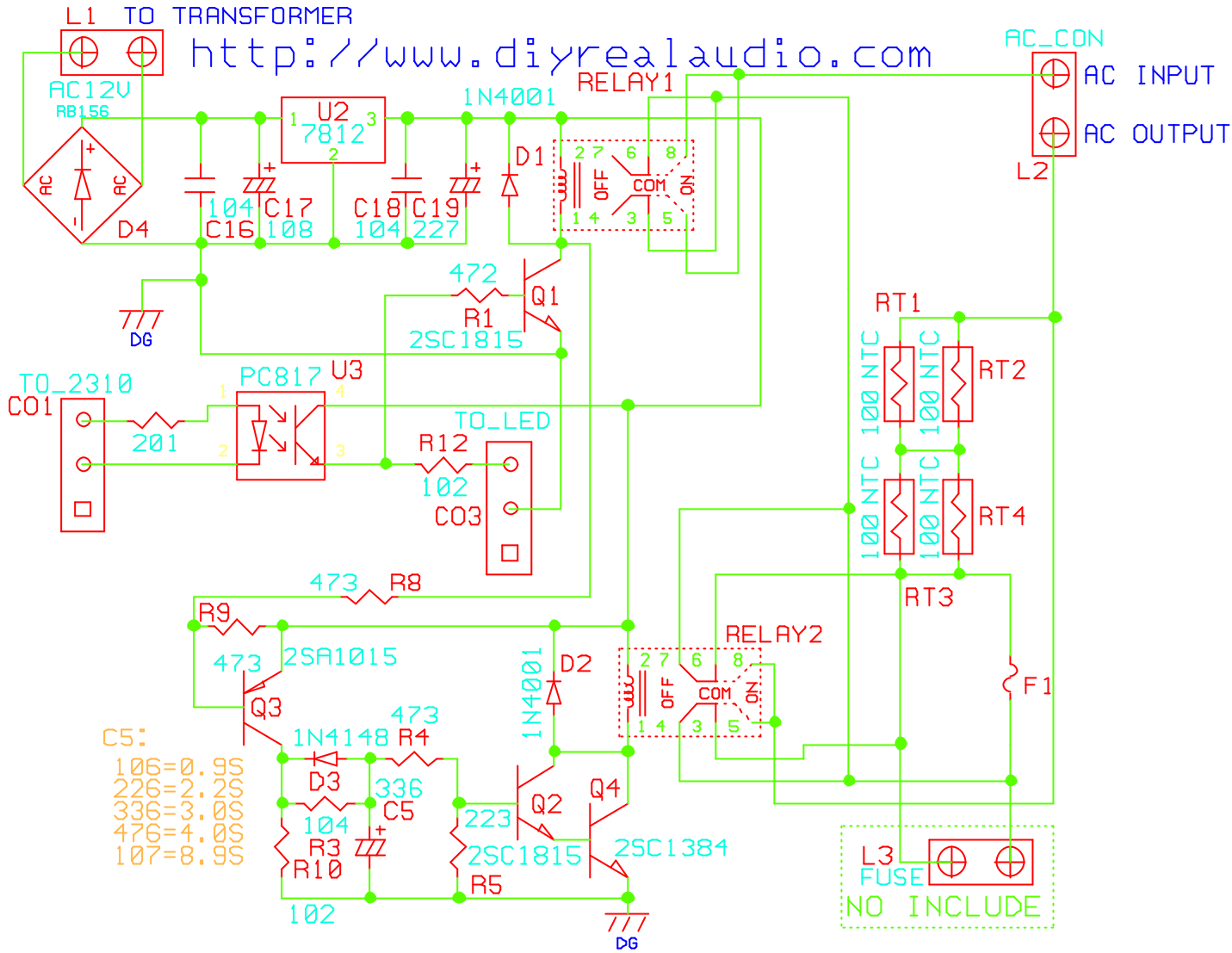
L1 TO TRANSFORMER

<http://www.diyrealaudio.com>

AC_CON

AC INPUT

AC OUTPUT



- C5:
- 106=0.9S
 - 226=2.2S
 - 336=3.0S
 - 476=4.0S
 - 107=8.9S

L3 FUSE
NO INCLUDE